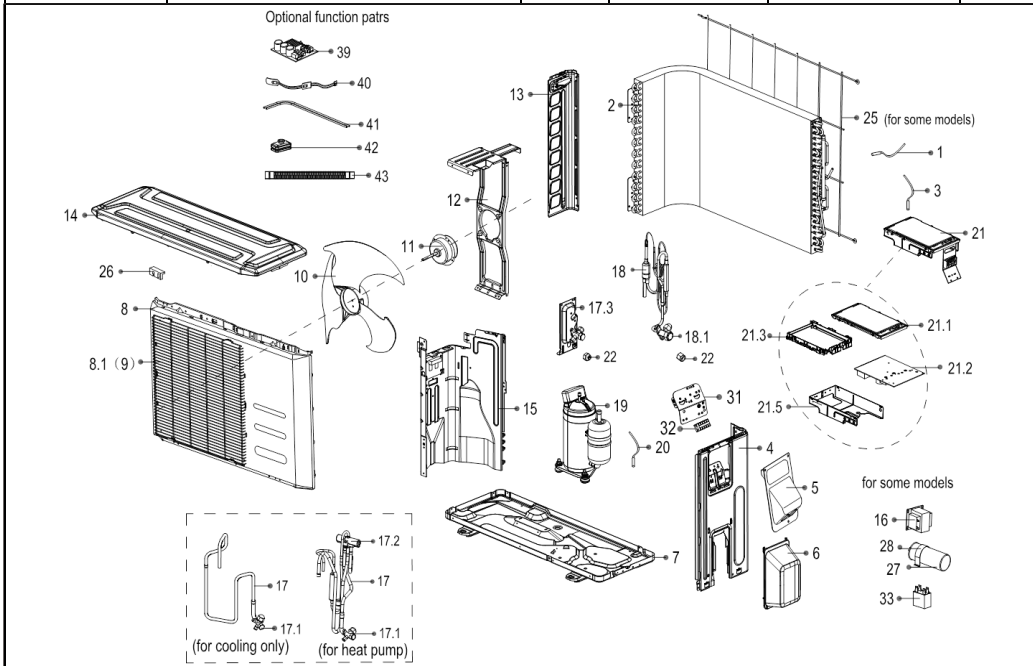


## Exploded View



|                       |                               |                     |                     |  |
|-----------------------|-------------------------------|---------------------|---------------------|--|
| <b>JCI Model:</b>     | YHKE09YJ6AMAO-X               |                     |                     |  |
| <b>Factory Model:</b> | 22022016005160                |                     |                     |  |
| <b>Power Supply:</b>  | 208And230V_1Ph,FREQUENCY_60HZ | <b>Export Time:</b> | 2016-01-05 22:40:47 |  |

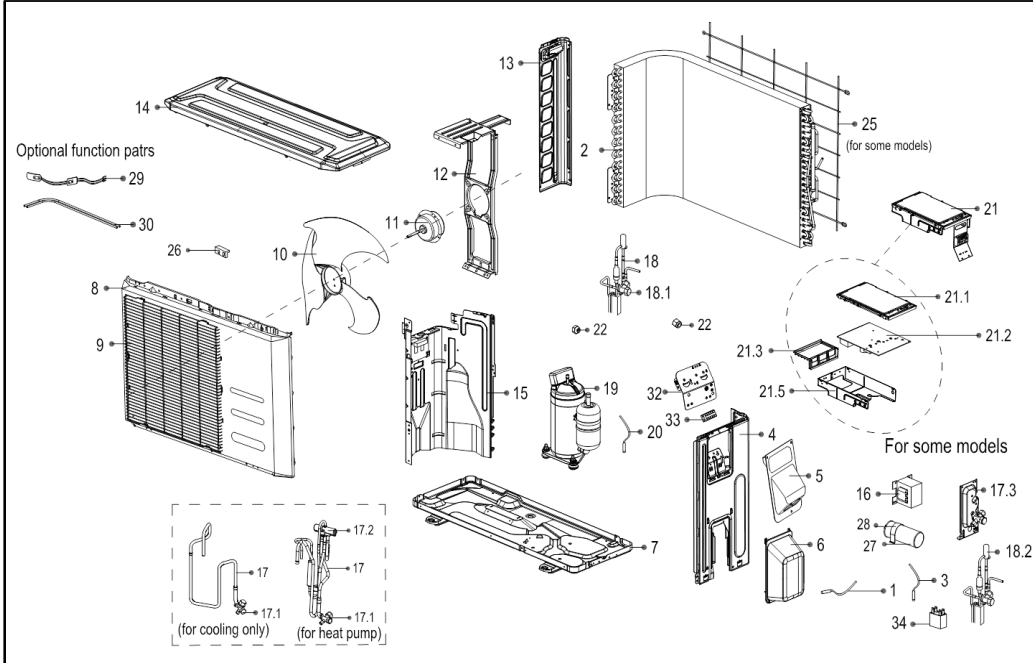


| No.  | Part Name                             | Quantity | BOM Code        | Price | Remark |
|------|---------------------------------------|----------|-----------------|-------|--------|
| 1    | Room Temperature Sensor               | 1.0      | 112M01007000039 |       |        |
| 2    | Condenser Assembly                    | 1.0      | 158M22000003516 |       |        |
| 3    | Temperature Sensor                    | 1.0      | 112M01007000136 |       |        |
| 4    | Parts fn Right Side Plate             | 1.0      | 122M22000006249 |       |        |
| 5    | Big handle                            | 1.0      | 122M22000005102 |       |        |
| 6    | Water Collecting Cover                | 1.0      | 121M22000007150 |       |        |
| 7    | Chassis assembly                      | 1.0      | 122M22000004427 |       |        |
| 8    | Front panel                           | 1.0      | 122M22000004842 |       |        |
| 9    | Air outlet grille                     | 1.0      | 121M22000A26900 |       |        |
| 10   | Axial fan                             | 1.0      | 121M00105000057 |       |        |
| 11   | Brushless DC Motor                    | 1.0      | 110M02015000041 |       |        |
| 12   | Supporter assembly of fan motor       | 1.0      | 122M22000004185 |       |        |
| 13   | Left supporter                        | 1.0      | 122M22000006244 |       |        |
| 14   | Top cover assembly                    | 1.0      | 122M22000006246 |       |        |
| 15   | Partition board assembly              | 1.0      | 122M22000004425 |       |        |
| 17   | 4-Ways valve assembly                 | 1.0      | 154M22000004672 |       |        |
| 17.1 | Low Pressure Valve                    | 1.0      | 155M00204000021 |       |        |
| 17.2 | 4-way Valve                           | 1.0      | 155M00216000028 |       |        |
| 17.3 | Installing plate for valves           | 1.0      | 122M22000002571 |       |        |
| 18   | High-Voltage valve Assembly           | 1.0      | 154M22000004932 |       |        |
| 18.1 | High-Voltage valve                    | 1.0      | 155M00208000028 |       |        |
| 18.2 | Electric expansive valve assembly     | 1.0      | 155M00213000047 |       |        |
| 19   | Inverter Controlled Rotary Compressor | 1.0      | 111M03020000034 |       |        |
| 20   | Discharge temperature sensor assembly | 1.0      | 112M01007000005 |       |        |
| 21   | Electronic control box assembly       | 1.0      | 172M22000009804 |       |        |
| 21.1 | Electric Installing Box Cover         | 1.0      | 122M22000001455 |       |        |
| 21.2 | Outdoor power board assembly          | 1.0      | 171M22000019317 |       |        |
| 21.3 | Installation board for E-parts        | 1.0      | 121M22000006913 |       |        |
| 21.5 | Electric Installing Box Subassembly   | 1.0      | 122M22000001311 |       |        |
| 22   | Brass Nut                             | 1.0      | 155M00406000016 |       |        |
| 22   | Brass Nut                             | 1.0      | 155M00406000010 |       |        |
| 25   | Rear Net                              | 1.0      | 122M22000003986 |       |        |
| 31   | Terminal Installing Plate             | 1.0      | 122M22000002259 |       |        |
| 32   | Wire holder                           | 1.0      | 174M00401000075 | 2.32  |        |

# Exploded View



|                       |                               |                     |                     |  |  |
|-----------------------|-------------------------------|---------------------|---------------------|--|--|
| <b>JCI Model:</b>     | YHKE12YJ6AMAO-X               |                     |                     |  |  |
| <b>Factory Model:</b> | 22022016005161                |                     |                     |  |  |
| <b>Power Supply:</b>  | 208And230V_1Ph,FREQUENCY_60HZ | <b>Export Time:</b> | 2016-01-05 23:11:53 |  |  |

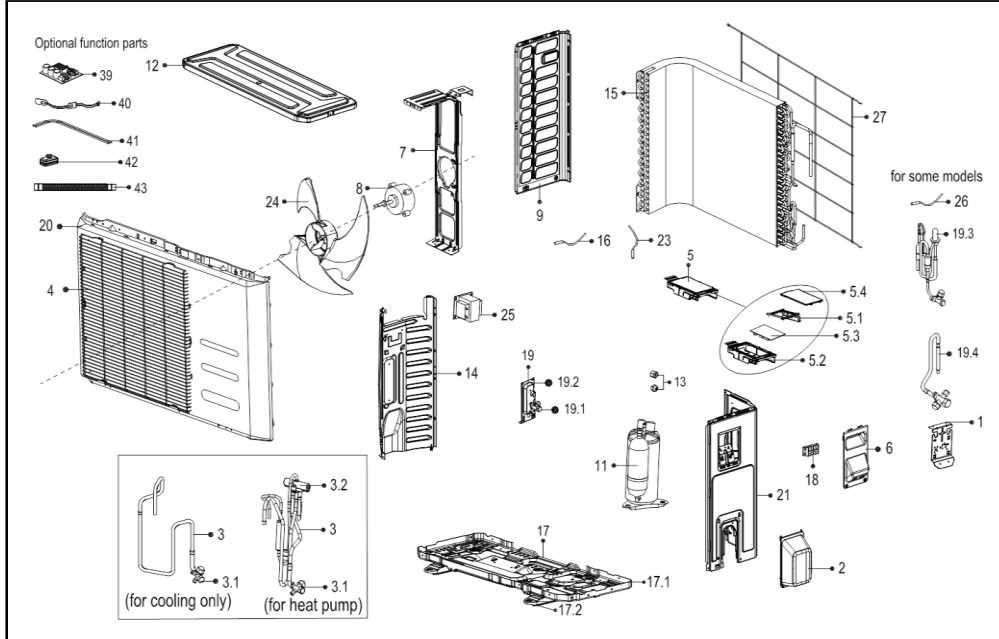


| No.  | Part Name                             | Quantity | BOM Code         | Price | Remark |
|------|---------------------------------------|----------|------------------|-------|--------|
| 1    | Room Temperature Sensor               | 1.0      | 112M01007000039  |       |        |
| 2    | Condenser assembly                    | 1.0      | 158M22000003520  |       |        |
| 3    | Temperature Sensor                    | 1.0      | 112M01007000136  |       |        |
| 4    | Right clapboard assembly              | 1.0      | 122M22000005745  |       |        |
| 5    | Big handle                            | 1.0      | 122M22000005102  |       |        |
| 6    | Water Collecting Cover                | 1.0      | 121M22000007150  |       |        |
| 7    | Chassis Assembly                      | 1.0      | 122M22000000576  |       |        |
| 8    | Front panel                           | 1.0      | 122M22000004463  |       |        |
| 9    | Air outlet grille                     | 1.0      | 121M22000A26900  |       |        |
| 10   | Axial fan                             | 1.0      | 121M00105000051  |       |        |
| 11   | Brushless DC Motor                    | 1.0      | 110M02015000041  |       |        |
| 12   | Fan Motor Holder Subassembly          | 1.0      | 122M22200001462  |       |        |
| 13   | Left supporter                        | 1.0      | 122M22000006504  |       |        |
| 14   | Top cover assembly                    | 1.0      | 122M22000002451  |       |        |
| 15   | Separation plate                      | 1.0      | 122M22000002226  |       |        |
| 17   | 4-Ways valve assembly                 | 1.0      | 154M22000004933  |       |        |
| 17.1 | Low Pressure Valve                    | 1.0      | 155M00204000058  |       |        |
| 17.2 | 4-way Valve                           | 1.0      | 155M00216000028  |       |        |
| 17.3 | Installing plate for valves           | 1.0      | 122M22000002571  |       |        |
| 18   | High-Voltage valve Assembly           | 1.0      | 154M22000004932  |       |        |
| 18.1 | High-Voltage valve                    | 1.0      | 155M00208000028  |       |        |
| 18.2 | Electric expansive valve assembly     | 1.0      | 155M00213000047  |       |        |
| 19   | DC Inverter Rotary Compressor         | 1.0      | 111M030200000479 |       |        |
| 20   | Discharge temperature sensor assembly | 1.0      | 112M01007000005  |       |        |
| 21   | Electronic control box assembly       | 1.0      | 172M22000009468  |       |        |
| 21.1 | Electric Installing Box Cover         | 1.0      | 122M22000001455  |       |        |
| 21.2 | Outdoor power board assembly          | 1.0      | 171M22000018848  |       |        |
| 21.3 | Installation board for E-parts        | 1.0      | 121M22000006913  |       |        |
| 21.5 | Electric Installing Box Subassembly   | 1.0      | 122M22000001311  |       |        |
| 22   | Brass Nut                             | 1.0      | 155M00406000012  |       |        |
| 22   | Brass Nut                             | 1.0      | 155M00406000016  |       |        |
| 25   | Rear Net                              | 1.0      | 122M22000003622  |       |        |
| 32   | Terminal Installing Plate             | 1.0      | 122M22000002259  |       |        |
| 33   | Wire holder                           | 1.0      | 174M00401000075  |       |        |

## Exploded View



|                       |                               |                     |                     |  |
|-----------------------|-------------------------------|---------------------|---------------------|--|
| <b>JCI Model:</b>     | YHKE18YJ6AMAO-X               |                     |                     |  |
| <b>Factory Model:</b> | 22022016005162                |                     |                     |  |
| <b>Power Supply:</b>  | 208And230V_1Ph,FREQUENCY_60HZ | <b>Export Time:</b> | 2016-01-05 23:14:51 |  |

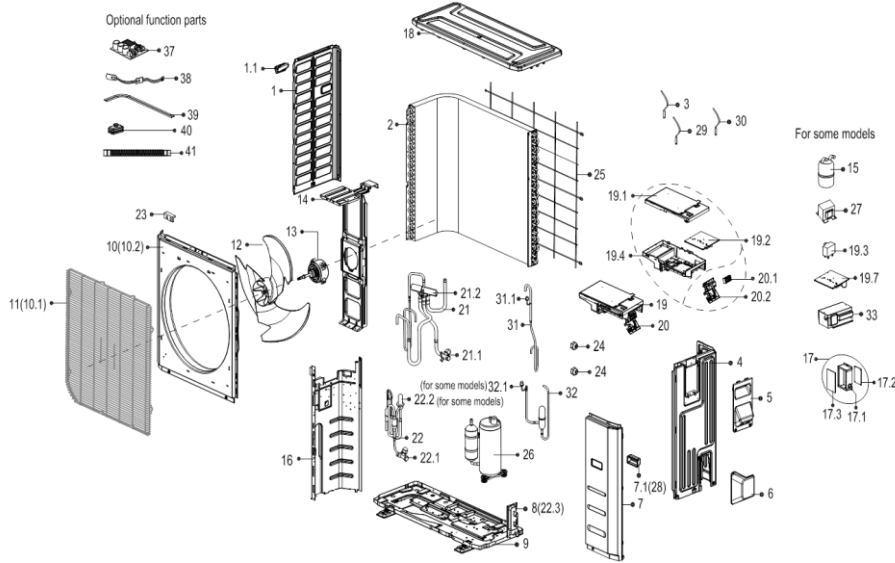


| No.  | Part Name                             | Quantity | BOM Code        | Price | Remark |
|------|---------------------------------------|----------|-----------------|-------|--------|
| 1    | Terminal board                        | 1.0      | 122M22000004782 |       |        |
| 2    | Water Collecting Cover                | 1.0      | 121M22000007150 |       |        |
| 3    | 4-way valve assembly                  | 1.0      | 154M22000004873 |       |        |
| 3.1  | Low Pressure Valve                    | 1.0      | 155M00204000046 |       |        |
| 3.2  | 4-way Valve                           | 1.0      | 155M00216000026 |       |        |
| 4    | Air Outlet Guard                      | 1.0      | 121M22000A26901 |       |        |
| 5    | Electronic control box assembly       | 1.0      | 172M22000009477 |       |        |
| 5.1  | Supporting Plate                      | 1.0      | 121M22000014683 |       |        |
| 5.2  | Cover of electronic control box       | 1.0      | 122M22000004827 |       |        |
| 5.3  | Outdoor main control board assembly   | 1.0      | 171M22000018864 |       |        |
| 5.4  | Electric Installing Box Subassembly   | 1.0      | 121M22000006856 |       |        |
| 6    | Big handle                            | 1.0      | 122M22000005102 |       |        |
| 7    | Supporter assembly of fan motor       | 1.0      | 122M22000004829 |       |        |
| 8    | Brushless DC Motor                    | 1.0      | 110M02015000397 |       |        |
| 9    | Left side plate assembly              | 1.0      | 122M22000004831 |       |        |
| 11   | Inverter Controlled Rotary Compressor | 1.0      | 111M03020000006 |       |        |
| 12   | Top cover assembly                    | 1.0      | 122M22000004835 |       |        |
| 13   | Brass Nut                             | 1.0      | 155M00406000012 |       |        |
| 13   | Brass Nut                             | 1.0      | 155M00406000016 |       |        |
| 14   | Partition board assembly              | 1.0      | 122M22000004784 |       |        |
| 15   | Condenser Assembly                    | 1.0      | 158M22000003619 |       |        |
| 16   | Room Temperature Sensor               | 1.0      | 112M01007000039 |       |        |
| 17   | Chassis assembly                      | 1.0      | 122M22000004787 |       |        |
| 17.1 | Chassis                               | 1.0      | 122M22000004786 |       |        |
| 17.2 | Footing                               | 2.0      | 122M22000004788 |       |        |
| 18   | Wire holder                           | 1.0      | 174M00401000075 |       |        |
| 19   | Liquid valve assembly                 | 1.0      | 154M22000004952 |       |        |
| 19.1 | High-Voltage valve                    | 1.0      | 155M00208000028 |       |        |
| 19.2 | Installing plate for valves           | 1.0      | 122M22000002571 |       |        |
| 19.3 | Electric expansive valve assembly     | 1.0      | 155M00213000047 |       |        |
| 20   | Front panel                           | 1.0      | 122M22000006304 |       |        |
| 21   | Right side plate                      | 1.0      | 122M22000004830 |       |        |
| 23   | Temperature Sensor                    | 1.0      | 112M01007000069 |       |        |
| 24   | Axial fan                             | 1.0      | 121M00105000181 |       |        |
| 25   | Reactor                               | 1.0      | 174M00306000053 |       |        |
| 26   | Discharge temperature sensor assembly | 1.0      | 112M01007000005 |       |        |
| 27   | Rear net                              | 1.0      | 122M22000004833 |       |        |

## Exploded View



|                       |                               |                     |                     |  |
|-----------------------|-------------------------------|---------------------|---------------------|--|
| <b>JCI Model:</b>     | YHKE24YJ6AMAO-X               |                     |                     |  |
| <b>Factory Model:</b> | 22022016005121                |                     |                     |  |
| <b>Power Supply:</b>  | 208And230V_1Ph,FREQUENCY_60HZ | <b>Export Time:</b> | 2016-01-05 23:18:07 |  |

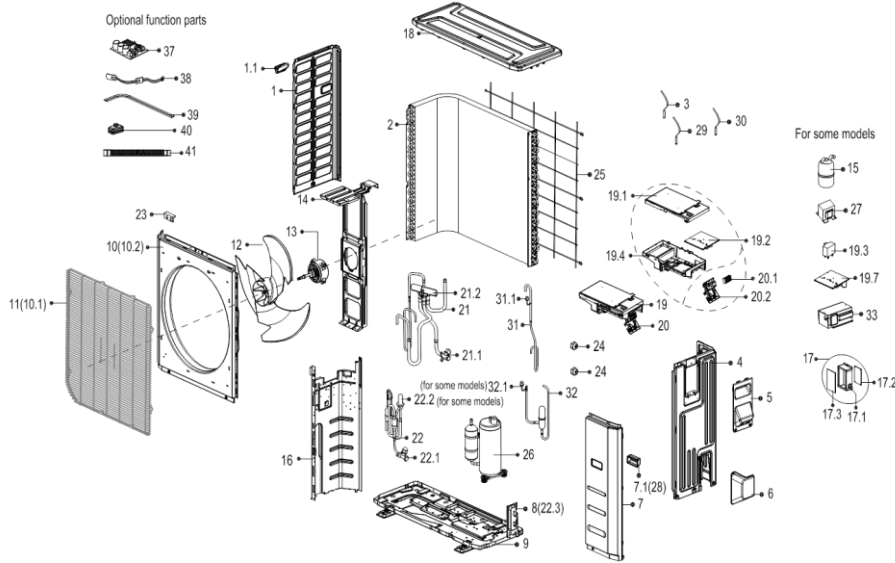


| No.  | Part Name  | Quantity | BOM Code        | Price | Remark |
|------|--|----------|-----------------|-------|--------|
| 1    | Left side plate assembly of cabinet                  | 1.0      | 122M22000006665 |       |        |
| 1.1  | Small Handle   | 1.0      | 121M00701000033 |       |        |
| 2    | Condenser assembly                                   | 1.0      | 158M22000003716 |       |        |
| 3    | Temperature Sensor                                   | 1.0      | 112M01007000006 |       |        |
| 4    | Rear right clapboard assembly                        | 1.0      | 122M22000006664 |       |        |
| 5    | Big Handle   | 1.0      | 122M22000004019 |       |        |
| 6    | Water Collecting Cover                               | 1.0      | 121M22200002695 |       |        |
| 7    | Front right clapboard assembly                       | 1.0      | 122M22500000633 |       |        |
| 7.1  | Little Handle  | 1.0      | 121M00702000038 |       |        |
| 9    | Chassis assembly                                     | 1.0      | 122M22000004762 |       |        |
| 10   | Front panel  | 1.0      | 122M22000004983 |       |        |
| 11   | Air Outlet Guard                                     | 1.0      | 121M22000A29758 |       |        |
| 12   | Axial fan  | 1.0      | 121M00105000084 |       |        |
| 13   | Brushless DC Motor                                   | 1.0      | 110M02015000247 |       |        |
| 14   | Holder for fan motor assembly                        | 1.0      | 122M22000005162 |       |        |
| 16   | Separator Assembly                                   | 1.0      | 122M22200001158 |       |        |
| 18   | Top cover assembly                                   | 1.0      | 122M22500000541 |       |        |
| 19   | Electronic control box assembly                      | 1.0      | 172M22000009478 |       |        |
| 19.1 | Electric Installing Box Cover Subassembly            | 1.0      | 121M22200002713 |       |        |
| 19.2 | Outdoor main control board assembly                  | 1.0      | 171M22000018866 |       |        |
| 19.4 | Electric Installing Box Subassembly                  | 1.0      | 121M22200002717 |       |        |
| 20   | Terminal Block Subassembly of Electrical Control Box | 1.0      | 172M22000014908 |       |        |
| 20.1 | Wire holder  | 1.0      | 174M00401000037 |       |        |
| 20.2 | Wiring terminal installing plate                     | 1.0      | 122M22200001476 |       |        |
| 21   | 4-ways valve assembly                                | 1.0      | 154M22000005608 |       |        |
| 21.1 | Low Pressure Valve                                   | 1.0      | 155M00204000025 |       |        |
| 21.2 | 4-way Valve  | 1.0      | 155M00216000026 |       |        |
| 22   | Liquid valve Assembly                                | 1.0      | 154M22000003309 |       |        |
| 22.1 | Low Pressure Valve                                   | 1.0      | 155M00204000021 |       |        |
| 22.2 | Electronic expansion valve                           | 1.0      | 155M00213000265 |       |        |
| 22.3 | Installation plate for valves                        | 1.0      | 122M22200002110 |       |        |
| 23   | Clamp of front net                                   | 8.0      | 121M22000006844 |       |        |
| 24   | Brass Nut  | 1.0      | 155M00406000010 |       |        |
| 24   | Brass Nut  | 1.0      | 155M00406000003 |       |        |
| 25   | Rear net   | 1.0      | 122M22000006604 |       |        |
| 26   | Inverter Controlled Rotary Compressor                | 1.0      | 111M03020000179 |       |        |
| 27   | Reactor  | 1.0      | 174M00306000058 |       |        |
| 29   | Discharge temperature sensor assembly                | 1.0      | 112M01007000157 |       |        |
| 30   | Room Temperature Sensor                              | 1.0      | 112M01007000039 |       |        |

## Exploded View



|                       |                               |                     |                     |  |
|-----------------------|-------------------------------|---------------------|---------------------|--|
| <b>JCI Model:</b>     | YHKE30YJ6AMAO-X               |                     |                     |  |
| <b>Factory Model:</b> | 22022016005119                |                     |                     |  |
| <b>Power Supply:</b>  | 208And230V_1Ph,FREQUENCY_60HZ | <b>Export Time:</b> | 2016-01-05 23:21:36 |  |

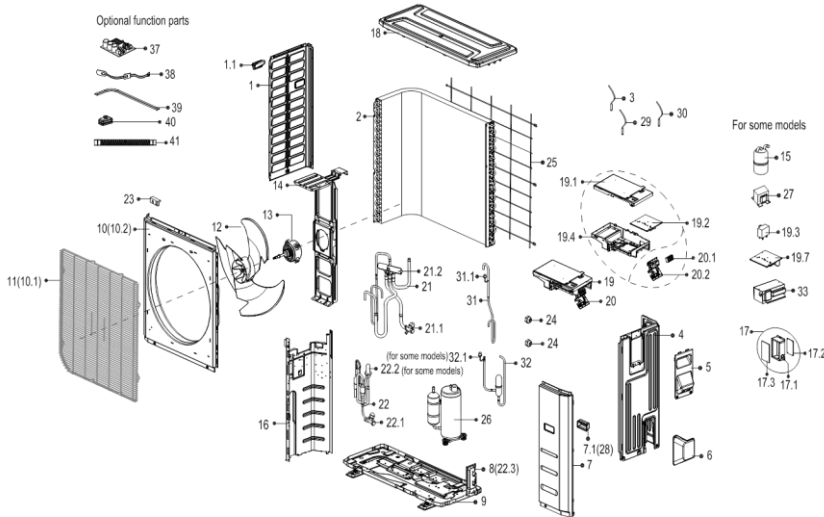


| No.  | Part Name  | Quantity | BOM Code         | Price | Remark |
|------|--|----------|------------------|-------|--------|
| 1    | Left side plate assembly of cabinet                  | 1.0      | 122M2200006665   |       |        |
| 1.1  | Small Handle   | 1.0      | 121M00701000033  |       |        |
| 2    | Condenser assembly                                   | 1.0      | 158M22000003716  |       |        |
| 3    | Temperature Sensor                                   | 1.0      | 112M01007000006  |       |        |
| 4    | Rear right clapboard assembly                        | 1.0      | 122M22000006664  |       |        |
| 5    | Big Handle   | 1.0      | 122M22000004019  |       |        |
| 6    | Water Collecting Cover                               | 1.0      | 121M22200002695  |       |        |
| 7    | Front right clapboard assembly                       | 1.0      | 122M22500006633  |       |        |
| 7.1  | Little Handle  | 1.0      | 121M00702000038  |       |        |
| 9    | Chassis assembly                                     | 1.0      | 122M22000004762  |       |        |
| 10   | Front panel  | 1.0      | 122M22000004983  |       |        |
| 11   | Air Outlet Guard                                     | 1.0      | 121M22000A29758  |       |        |
| 12   | Axial fan  | 1.0      | 121M00105000084  |       |        |
| 13   | Brushless DC Motor                                   | 1.0      | 110M02015000247  |       |        |
| 14   | Holder for fan motor assembly                        | 1.0      | 122M22000005162  |       |        |
| 16   | Separator Assembly                                   | 1.0      | 122M22200001158  |       |        |
| 18   | Top cover assembly                                   | 1.0      | 122M22500000541  |       |        |
| 19   | Electronic control box assembly                      | 1.0      | 172M22000009474  |       |        |
| 19.1 | Electric Installing Box Subassembly                  | 1.0      | 121M22200002719  |       |        |
| 19.2 | Outdoor main control board assembly                  | 1.0      | 171M22000018858  |       |        |
| 19.4 | Electric Installing Box Subassembly                  | 1.0      | 121M22200002715  |       |        |
| 19.7 | Variable-frequency Module Subassembly (Tie-in. RoHS) | 1.0      | 171M22000015997  |       |        |
| 20   | Terminal Block Subassembly of Electrical Control Box | 1.0      | 172M22000014908  |       |        |
| 20.1 | Wire holder  | 1.0      | 174M00401000037  |       |        |
| 20.2 | Wiring terminal installing plate                     | 1.0      | 122M22200001476  |       |        |
| 21   | 4-ways valve assembly                                | 1.0      | 154M22000004892  |       |        |
| 21.1 | Low Pressure Valve                                   | 1.0      | 155M00204000025  |       |        |
| 21.2 | 4-way Valve  | 1.0      | 155M00216000003  |       |        |
| 22   | Liquid valve Assembly                                | 1.0      | 154M22000003309  |       |        |
| 22.1 | Low Pressure Valve                                   | 1.0      | 155M00204000021  |       |        |
| 22.2 | Electronic expansion valve                           | 1.0      | 155M00213000265  |       |        |
| 22.3 | Installation plate for valves                        | 1.0      | 122M22200002110  |       |        |
| 23   | Clamp of front net                                   | 8.0      | 121M22000006844  |       |        |
| 24   | Brass Nut  | 1.0      | 155M00406000010  |       |        |
| 24   | Brass Nut  | 1.0      | 155M00406000003  |       |        |
| 25   | Rear net   | 1.0      | 122M22000006604  |       |        |
| 26   | DC+Inverter+Rotary+Compressor                        | 1.0      | 111M030200000319 |       |        |
| 29   | Discharge temperature sensor assembly                | 1.0      | 112M01007000157  |       |        |
| 30   | Room Temperature Sensor                              | 1.0      | 112M01007000039  |       |        |

## Exploded View



|                       |                               |                     |                     |  |
|-----------------------|-------------------------------|---------------------|---------------------|--|
| <b>JCI Model:</b>     | YHKE36YJ6AMAO-X               |                     |                     |  |
| <b>Factory Model:</b> | 22022016005120                |                     |                     |  |
| <b>Power Supply:</b>  | 208And230V_1Ph,FREQUENCY_60HZ | <b>Export Time:</b> | 2016-01-05 23:25:15 |  |



| No.  | Part Name  | Quantity | BOM Code        | Price | Remark |
|------|--|----------|-----------------|-------|--------|
| 1    | Left side plate assembly of cabinet                  | 1.0      | 122M22000006665 |       |        |
| 1.1  | Small Handle   | 1.0      | 121M00701000033 |       |        |
| 2    | Condenser assembly                                   | 1.0      | 158M22000003722 |       |        |
| 3    | Temperature Sensor                                   | 1.0      | 112M01007000006 |       |        |
| 4    | Rear right clapboard assembly                        | 1.0      | 122M22000006664 |       |        |
| 5    | Big Handle   | 1.0      | 122M22000004019 |       |        |
| 6    | Water Collecting Cover                               | 1.0      | 121M22200002695 |       |        |
| 7    | Front right clapboard assembly                       | 1.0      | 122M22500000633 |       |        |
| 7.1  | Little Handle  | 1.0      | 121M00702000038 |       |        |
| 9    | Chassis assembly                                     | 1.0      | 122M22000004762 |       |        |
| 10   | Front panel  | 1.0      | 122M22000004983 |       |        |
| 11   | Air Outlet Guard                                     | 1.0      | 121M22000A29758 |       |        |
| 12   | Axial fan  | 1.0      | 121M00105000084 |       |        |
| 13   | Brushless DC Motor                                   | 1.0      | 110M02015000247 |       |        |
| 14   | Holder for fan motor assembly                        | 1.0      | 122M22000005162 |       |        |
| 15   | Accumulator cylinder                                 | 1.0      | 155M00508000002 |       |        |
| 16   | Separator Assembly                                   | 1.0      | 122M22200001158 |       |        |
| 18   | Top cover assembly                                   | 1.0      | 122M22500000541 |       |        |
| 19   | Electronic control box assembly                      | 1.0      | 172M22000009488 |       |        |
| 19.1 | Electric Installing Box Subassembly                  | 1.0      | 121M22200002719 |       |        |
| 19.2 | Outdoor main control board assembly                  | 1.0      | 171M22000018873 |       |        |
| 19.4 | Electric Installing Box Subassembly                  | 1.0      | 121M22200002715 |       |        |
| 19.7 | Variable-frequency Module Subassembly (Tie-in. RoHS) | 1.0      | 171M22000015997 |       |        |
| 20   | Terminal Block Subassembly of Electrical Control Box | 1.0      | 172M22000014908 |       |        |
| 20.1 | Wire holder  | 1.0      | 174M00401000037 |       |        |
| 20.2 | Wiring terminal installing plate                     | 1.0      | 122M22200001476 |       |        |
| 21   | 4-ways valve assembly                                | 1.0      | 154M22000004953 |       |        |
| 21.1 | Low Pressure Valve                                   | 1.0      | 155M00204000025 |       |        |
| 21.2 | 4-way Valve  | 1.0      | 155M00216000003 |       |        |
| 22   | Liquid valve assembly                                | 1.0      | 154M22000004954 |       |        |
| 22.1 | Low Pressure Valve                                   | 1.0      | 155M00204000021 |       |        |
| 22.2 | Electronic expansion valve                           | 1.0      | 155M00213000245 |       |        |
| 22.3 | Installation plate for valves                        | 1.0      | 122M22200002110 |       |        |
| 23   | Clamp of front net                                   | 8.0      | 121M22000006844 |       |        |
| 24   | Brass Nut  | 1.0      | 155M00406000010 |       |        |
| 24   | Brass Nut  | 1.0      | 155M00406000003 |       |        |
| 25   | Rear net   | 1.0      | 122M22000006604 |       |        |
| 26   | DC-Inverter+Rotary+Compressor                        | 1.0      | 111M03020000319 |       |        |
| 29   | Discharge temperature sensor assembly                | 1.0      | 112M01007000157 |       |        |
| 30   | Room Temperature Sensor                              | 1.0      | 112M01007000039 |       |        |
| 31   | Low Pressure Valve assembly                          | 1.0      | 151M22000009629 |       |        |
| 31.1 | Pressure controller                                  | 1.0      | 174M00516000024 |       |        |
| 32   | Parts of compressor exhaust pipe                     | 1.0      | 151M22000011324 |       |        |
| 32.1 | Pressure controller                                  | 1.0      | 174M00516000007 |       |        |